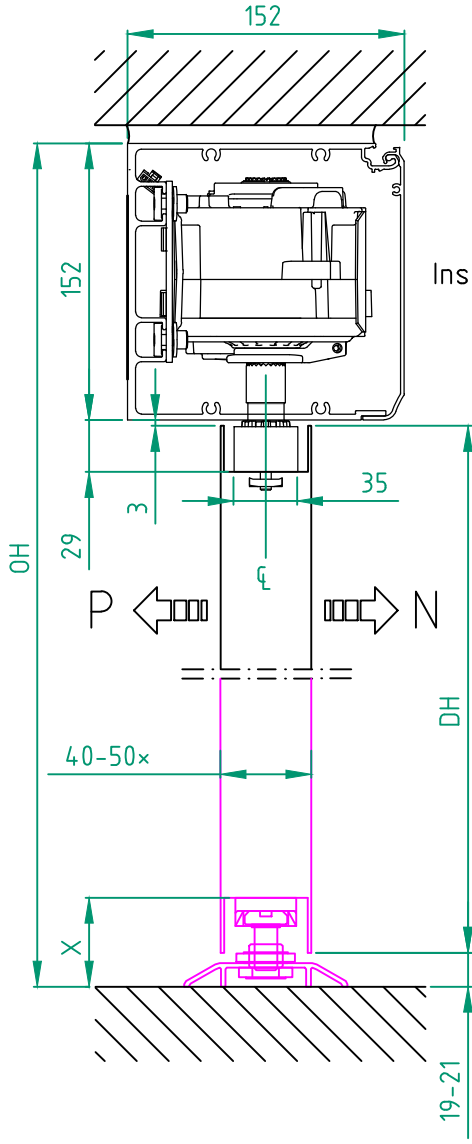
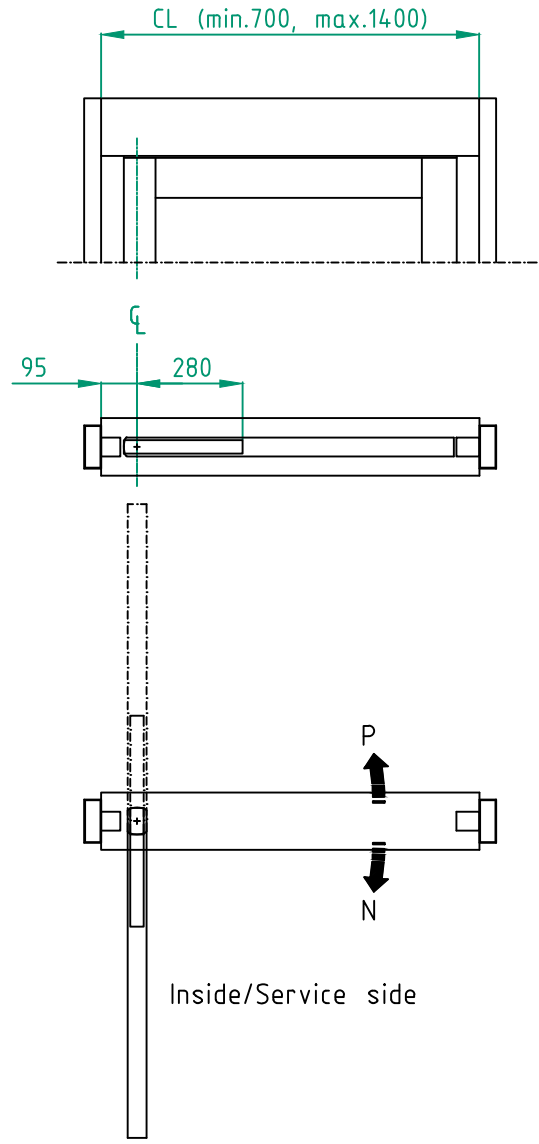


© All rights in and to this material are the sole property of ASSA ABLOY Entrance Systems AB. Copying, scanning, alterations or modifications are expressly forbidden without the prior written consent of the applicable company within ASSA ABLOY Entrance Systems AB. Rights reserved for changes without prior notice.



Inside/Service side



Inside/Service side

STATE WHEN ORDERING

CL = mm

Surface treatment

- Silver anodized
- Special anodized
- RAL
- Special powder coating
-

Cover end plates

- BK
- SI

Options see layers:

- Breakaway
- With threshold
- Without threshold

- ☉ = Pivot point
- N = Normal opening direction
- P = Escape opening direction
- CL = Header length
- DH = Door leaf height
- OH = Door opening height
- X = Pivot height
- * = min. 28 mm if additional Slim arm is used

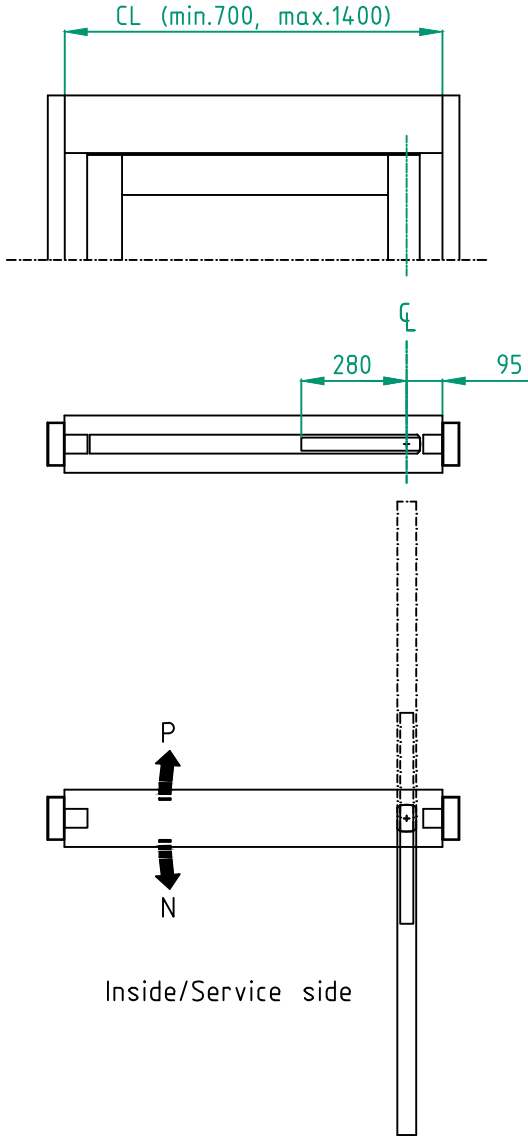
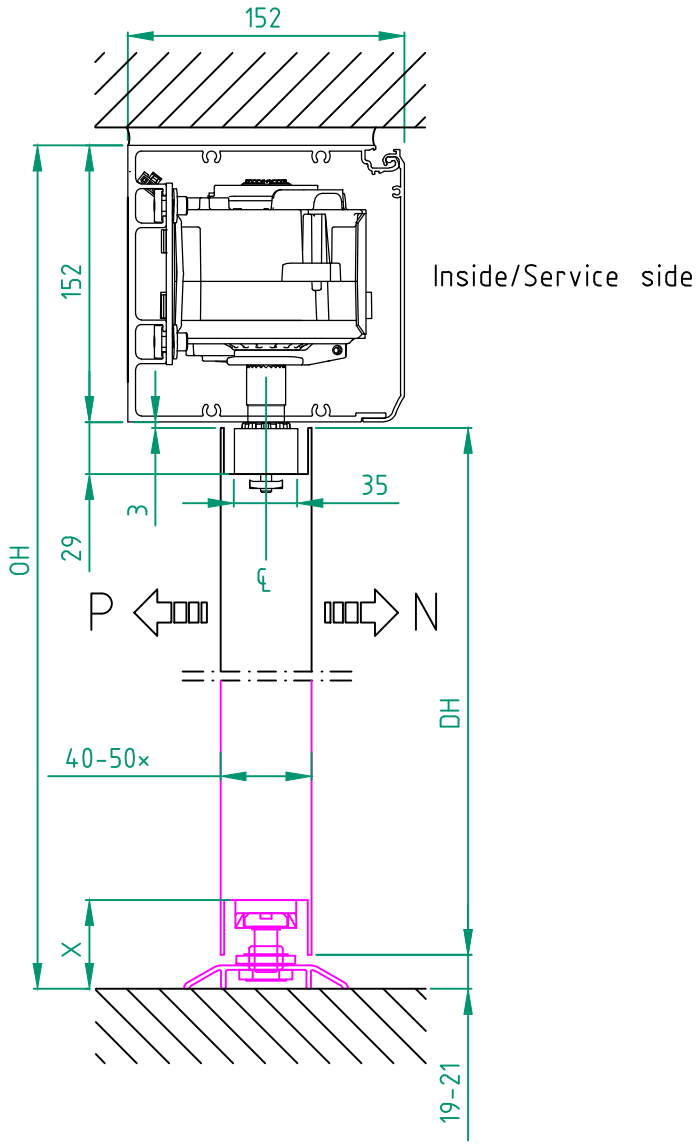
| | |
|-------------|-------|
| Customer: | Ref: |
| Door id: | Date: |
| Project No: | Sign: |

| |
|-------|
| Ref: |
| Date: |
| Sign: |

Swing door operator
 Besam SW200i-1:OHC
 Left hinged (LH), Inswing
 Art. No. 1010320

ASSA ABLOY
 4.0 1010320-EI

© All rights in and to this material are the sole property of ASSA ABLOY Entrance Systems AB. Copying, scanning, alterations or modifications are expressly forbidden without the prior written consent of the applicable company within ASSA ABLOY Entrance Systems AB. Rights reserved for changes without prior notice.



STATE WHEN ORDERING

CL = mm

Surface treatment

- Silver anodized
- Special anodized
- RAL
- Special powder coating
-

Cover end plates

- BK
- SI

Options see layers:

- Breakaway
- With threshold
- Without threshold

- ☉ = Pivot point
- N = Normal opening direction
- P = Escape opening direction
- CL = Header length
- DH = Door leaf height
- OH = Door opening height
- X = Pivot height
- * = min. 28 mm if additional Slim arm is used

| | |
|-------------|-------|
| Customer: | Ref: |
| Door id: | Date: |
| Project No: | Sign: |

| |
|-------|
| Ref: |
| Date: |
| Sign: |

Swing door operator
Besam SW200i-1:OHC
Right hinged (RH), Inswing
Art. No. 1010320

ASSA ABLOY

4.0 1010320-EI