

Sliding Door Operator

ASSA ABLOY SL520

ASSA ABLOY

ASSA ABLOY Entrance Systems

The global leader in
door opening solutions



The modular telescopic sliding door ASSA ABLOY SL520 enables upgrades and add-ons when you want to move your business forward

Sustainable Entrances

You can be sure that your entrance suits your people flow as well as your environmental footprint. To make your entrance more sustainable we can offer you different solutions as: additional sealing (ASSA ABLOY TightSeal), sustainable drive mode, intelligent opening width depending on traffic, inner- and outer door air locking, and timer settings and more.

Safety first

To permit safe passage between closing doors, the doors go into reverse mode if an obstruction is detected, and then start moving again slowly to check if the obstruction has cleared. If an obstruction is detected during opening or between opening doors and surrounding walls or interior fittings, the doors immediately stop and then close after a time delay. The speed and force of the doors can be customized to optimize safety. For optimum safety and user convenience, use a monitored ASSA ABLOY presence-detection system.

Technical specifications

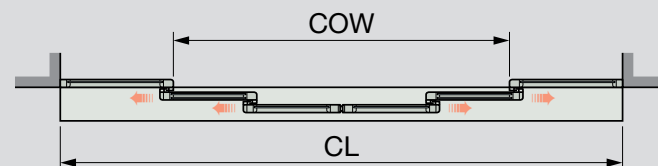
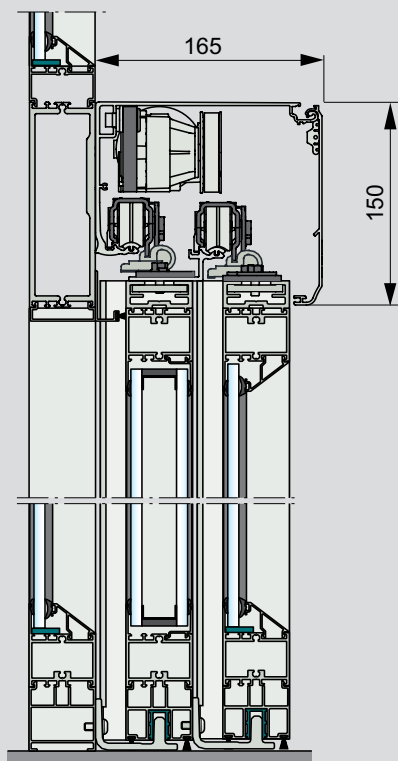
Operator dimensions	150 mm x 165 mm (height x depth)
Power supply	100-240 VAC \pm 10% 50/60 Hz
Power consumption	max. 250 W
Recommended maximum door weight	
ASSA ABLOY SL520 -2	80 kg/door leaf (bi-parting)
ASSA ABLOY SL520 -1	80 kg/door leaf (single slide)
Clear opening width (COW)	
ASSA ABLOY SL520 -2	1720 – 4000 mm (bi-parting)
ASSA ABLOY SL520 -1	900 – 4000 mm (single slide)
Contact local sales representative for other dimensions.	
Open and closing speed	up to 1.7 m/s (4 leaves) variable
Hold-open time	0 – 60 s
Ambient temperature	-20°C to +50°C
Relative humidity (non-condensing)	max. 85%

Security

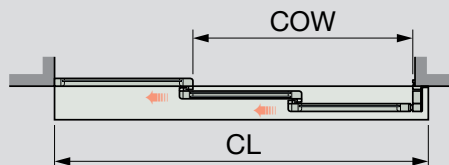
Choose your security level by adding different features. Unwanted guests are not an issue for the ASSA ABLOY SL520 through the use of different locking devices, and its unique feature that all individual door leaves can be locked simultaneously. The operation mode selector can be set to meet your security needs during and outside business opening hours. Interlocking facilities further enhance the security level.

Service and maintenance for your convenience

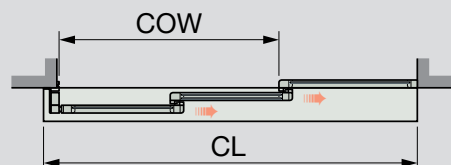
Ensure that you are one step ahead of breakdowns via maintenance indicators and automated diagnostics, or let us handle your maintenance via ASSA ABLOY Entrance Systems' tailored maintenance programs.



Bi-parting



Left opening



Right opening

COW = Clear opening width
CL = Cover length

New generation of telescopic operators

The modular ASSA ABLOY SL520 optimizes maximum opening width for your automated entrance. Suitable for both small and big entrances. The ASSA ABLOY SL520 further improves the aesthetics of your automated entrance thanks to its innovatively robust, reliable and silent monorail design – ensuring optimal uptime, convenience and appeal to pedestrians.

Models

ASSA ABLOY SL520-2 - Four leaves, bi-parting, with or without break-out

ASSA ABLOY SL520-R/L - Two leaves, single-slide, right or left-opening, with or without break-out

Standard equipment

Cover: clear anodized aluminium

Support beam with transmission

Electronic control unit with plug-in connections and power supply

Accessories and options

Cover: Other anodizing options or painted in RAL colours

Door adaptor for doors up to 65 mm thick from other suppliers

Traffic-controlled opening width

Synchronizing of two operators

Operation mode selectors

Electronic emergency opening or closing unit

Break-out door

Emergency button

ASSA ABLOY motion and presence sensors

Electrical locking devices

Interlocking between operators

Key switch

ASSA ABLOY automatic door systems

This equipment should be installed, regularly inspected, maintained and serviced by trained and authorized personnel. Preventive maintenance plans are highly recommended for a proper and safe operation. Talk to your ASSA ABLOY Entrance Systems representative to learn more about our service offering!