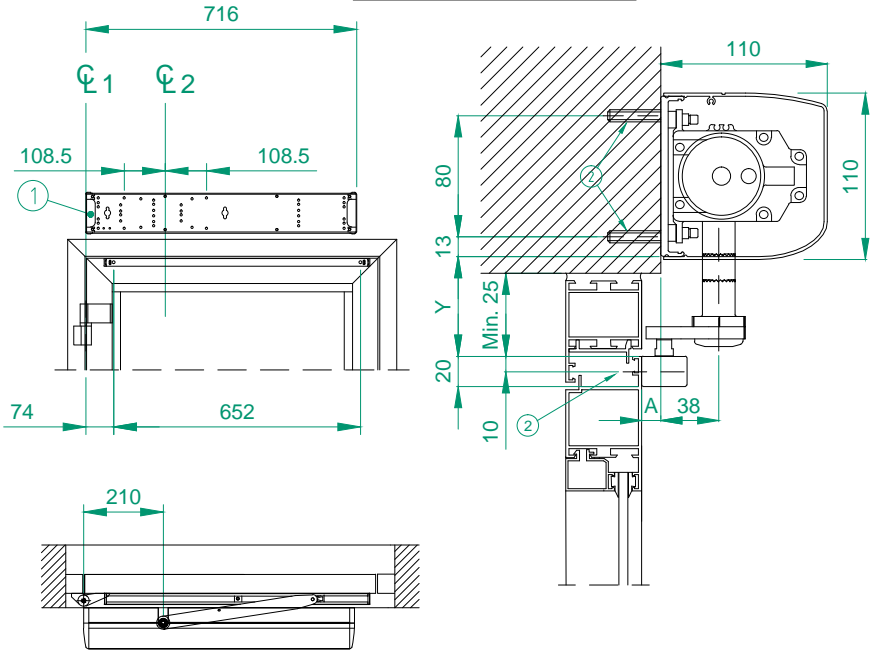


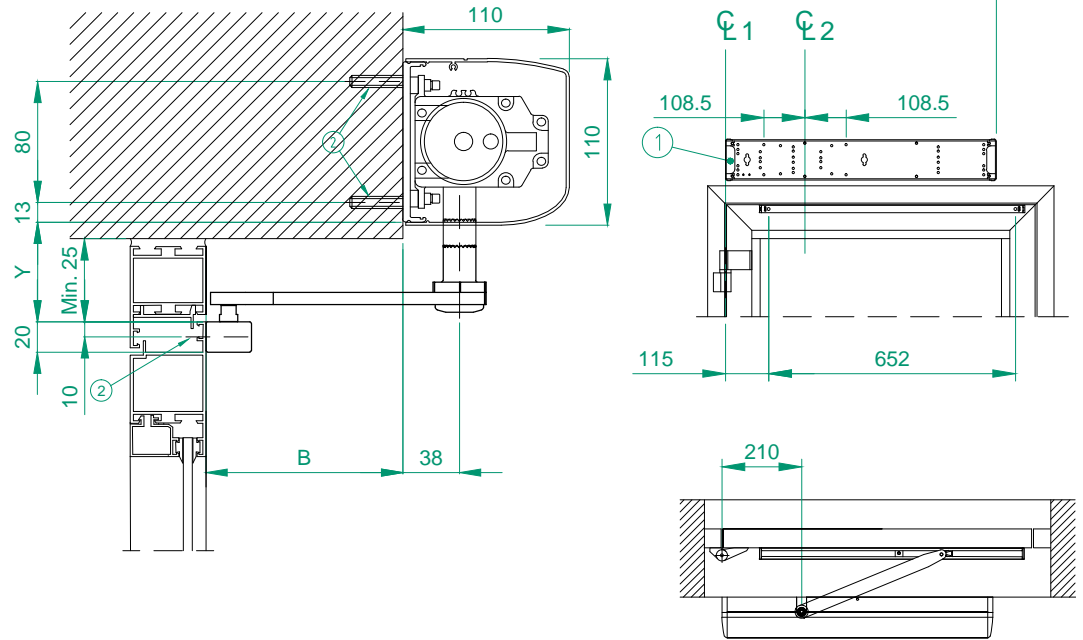
Reveal 0 - 130mm



- $\varnothing 1$ Hinges
- $\varnothing 2$ Operator drive shaft
- A Reveal 0 - 130mm
- 1 Cable inlet
- 2 Reinforcements required in door leaf and at fixing holes

Y=	Shaft extension
46	0
66	20
96	50
116	70

Reveal 131 - 200mm



- $\varnothing 1$ Hinges
- $\varnothing 2$ Operator drive shaft
- B Reveal 131 - 200mm
- 1 Cable inlet
- 2 Reinforcements required in door leaf and at fixing holes

Note Low speed closing and opening distance will increase.
Max. door opening = 95°
Min. door width = 800mm

Customer:

Ref:

Door id:

Date:

Project No:

Sign:

ASSA ABLOY PowerSwing
Arm system PULL

Swing door operator

ASSA ABLOY

8.0

173670-en