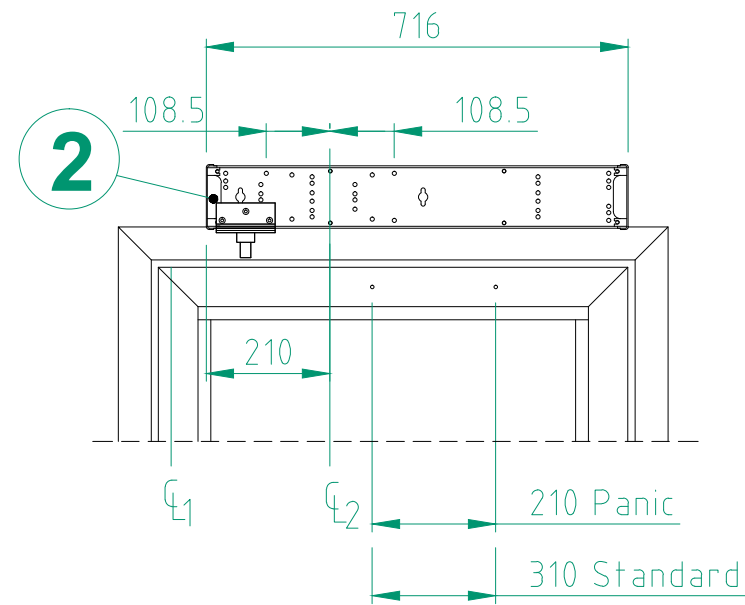
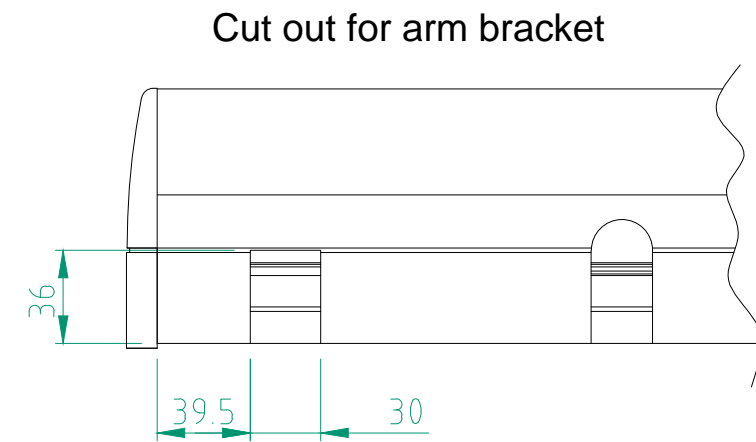


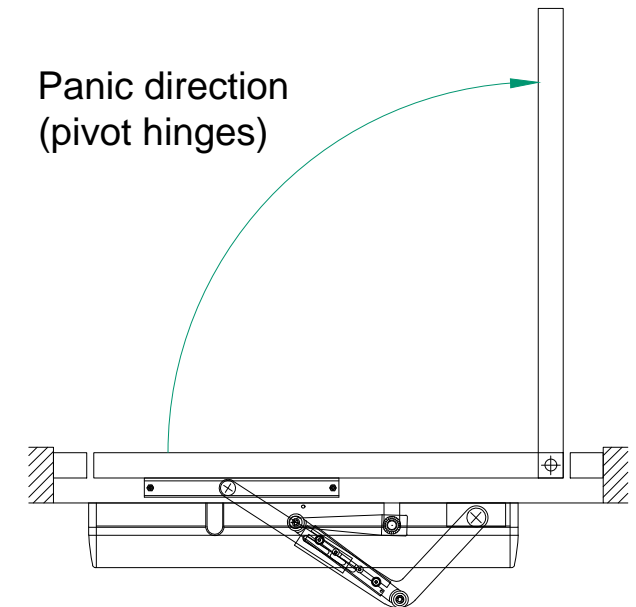
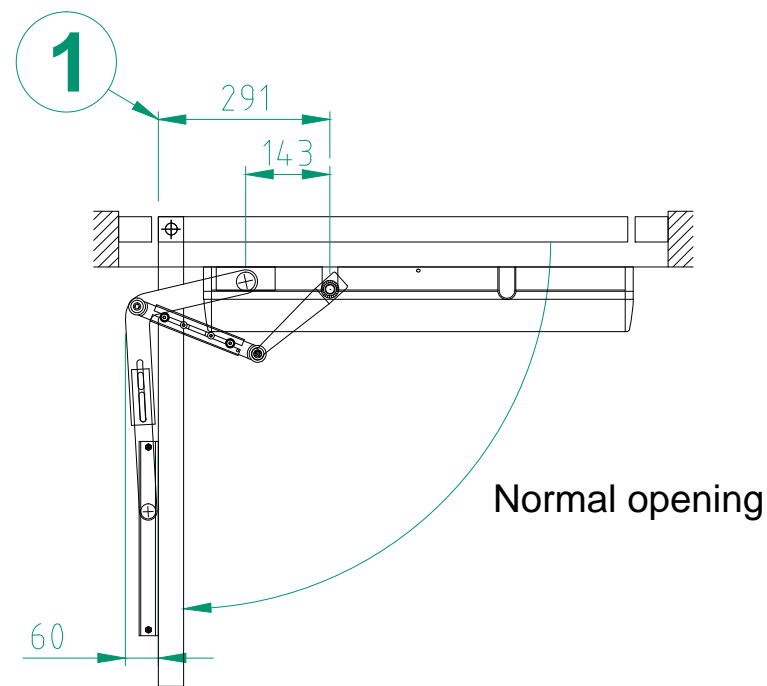
- ⌀1 Pivot or butt hinges
- ⌀2 Operator drive shaft
- A Standard max. reveal 100mm
- 1 Outside open door
- 2 Cable inlet
- 3 Reinforcements required in door leaf and at fixing holes



ST-V



ST-H



© ASSA ABLOY Entrance Systems AB, 2018. Technical data subject to change without notice.

Customer: _____
 Door id: _____
 Project No: _____

Ref: _____
 Date: _____
 Sign: _____

ASSA ABLOY PowerSwing
 Arm system Slide - Track
 ST-V/ST-H
 Swing door operator

ASSA ABLOY
 7.0 173836-en